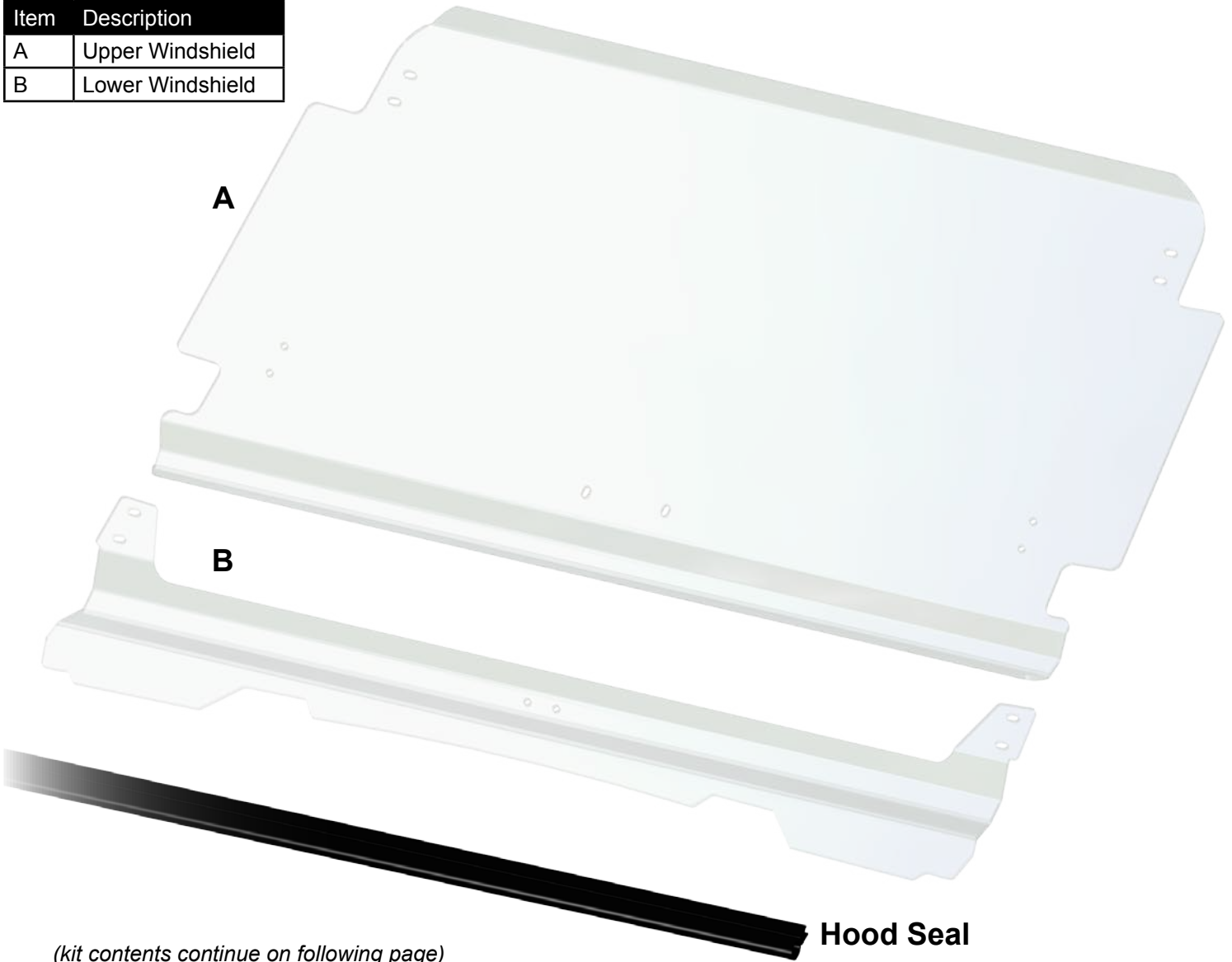


## INSTALLATION INSTRUCTIONS

### Flip Windshield for Polaris RZR®

Item	Description
A	Upper Windshield
B	Lower Windshield



(kit contents continue on following page)

**Hood Seal**

**Read instructions and view illustrations before beginning.**

**Need help with your installation?**



sales@superatv.com



www.superatv.com



1-812-574-7777



8:00am - 9:00pm EST M-Th  
8:00am - 7:00pm EST Friday  
9:00am - 2:00pm EST Saturday

*Thank You*

*For Choosing*

# SUPERATV.COM

#### Liability Statement

SuperATV's® products are designed to best fit user's ATV/UTV under stock conditions. Adding, modifying, or fabricating any factory or aftermarket parts will void any warranty provided by SuperATV® and is not recommended. SuperATV's® products could interfere with other aftermarket accessories. If user has aftermarket products on machine, contact SuperATV® to verify that they will work together.

Although SuperATV® has thousands of satisfied customers, user should be aware that installing lift kits, long travel, or suspension kits, tires, etc. will change the ride of machine and may increase maintenance and part wear. Operating any off-road machine while, or after, consuming alcohol and/or drugs increases risk of bodily harm or death. No warranty or representation is made as to this product's ability to protect user from severe injury or death. SuperATV® urges operators and occupants to wear a helmet and appropriate riding gear at all times.

By purchasing and installing SuperATV® products, user agrees that should damages occur, SuperATV® will not be held responsible for loss of time, use, labor fees, replacement parts, or freight charges. SuperATV®, nor any 3rd party, will not be held responsible for any direct, indirect, incidental, special, or consequential damages that result from any product purchased from SuperATV®. The total liability of seller to user for all damages, losses, and causes of action, if any, shall not exceed the total purchase price paid for the product that gave rise to the claim.

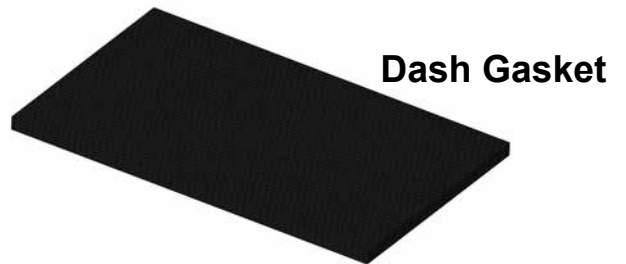
SuperATV® will warranty only parts provided by SuperATV®. Any damage or problems with OEM housings, bearings, seals, or other manufacturers' products will not be covered by SuperATV®. SuperATV® parts and products are not warranted if item was not installed properly, misused, or modified.

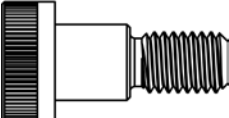
(kit contents continued)

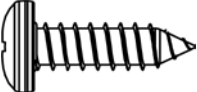
Item	Description	Qty	Item	Description	Qty
C	Gas Struts	2	F	Clamps	6
D	Latch Assembly	1	G	Dash Mount	1
E	Pivot Blocks	4	H	Supports	2



Clamps (F) are pre-assembled. Separate and set aside.



2x  (some hardware will remain after installation) **M8-1.25 Shoulder Bolt**

2x  **1/4\"-14 x 7/8\" Lg. Screws**

16x  **M6-1.0 x 20mm Lg. BHCS**

2x  **M8-1.25 x 20mm Lg. BHCS**

8x  **M6-1.0 Jam Nut**

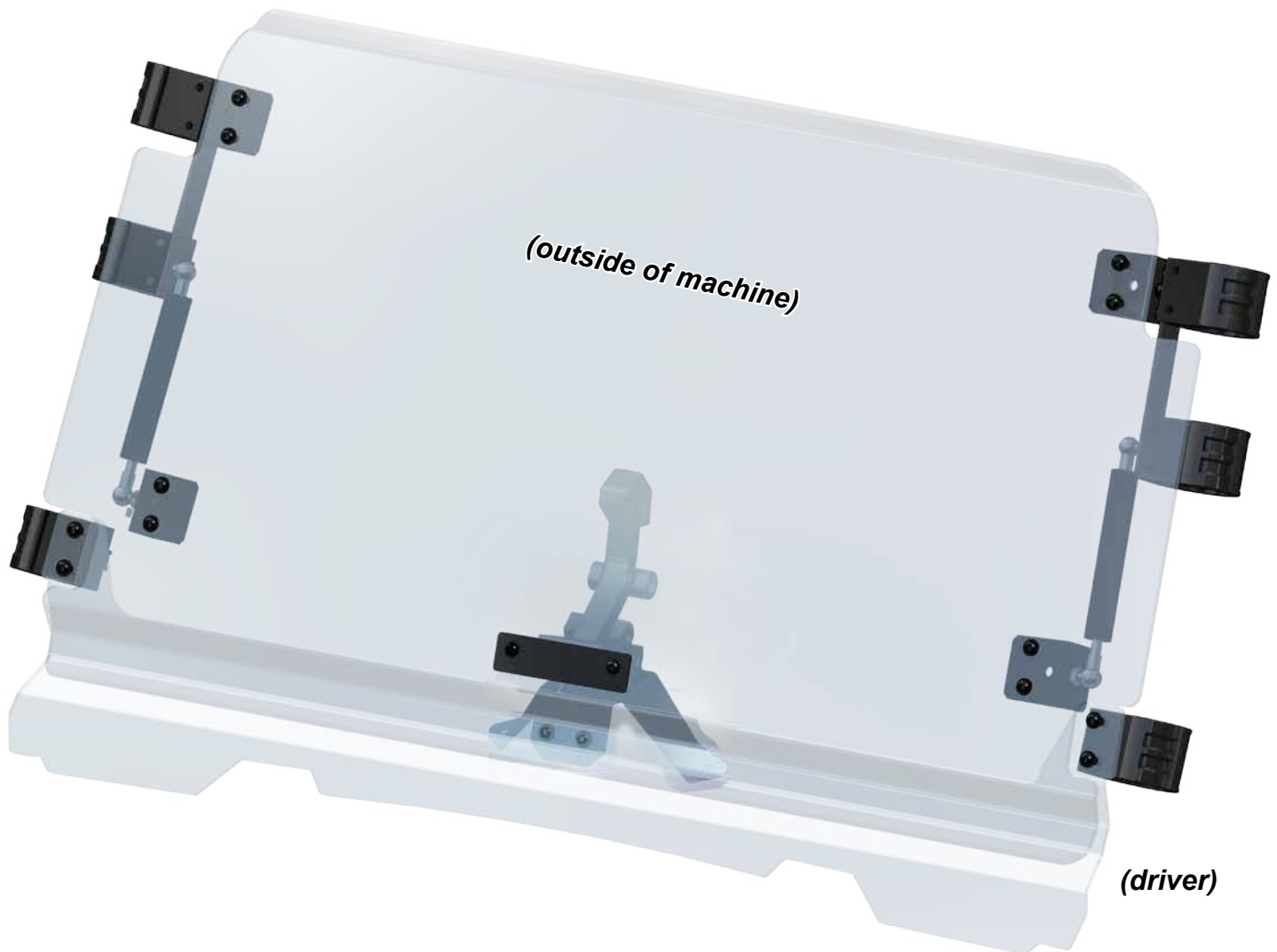
6x  **M6-1.0 Nylock Nut**

2x  **M8-1.25 Nylock Nut**

16x  **M6 Washer**

- When assembling, do not tighten hardware completely.
- SuperATV has found that installing components to windshields on a workbench, as shown in illustrations, makes for easiest installation.

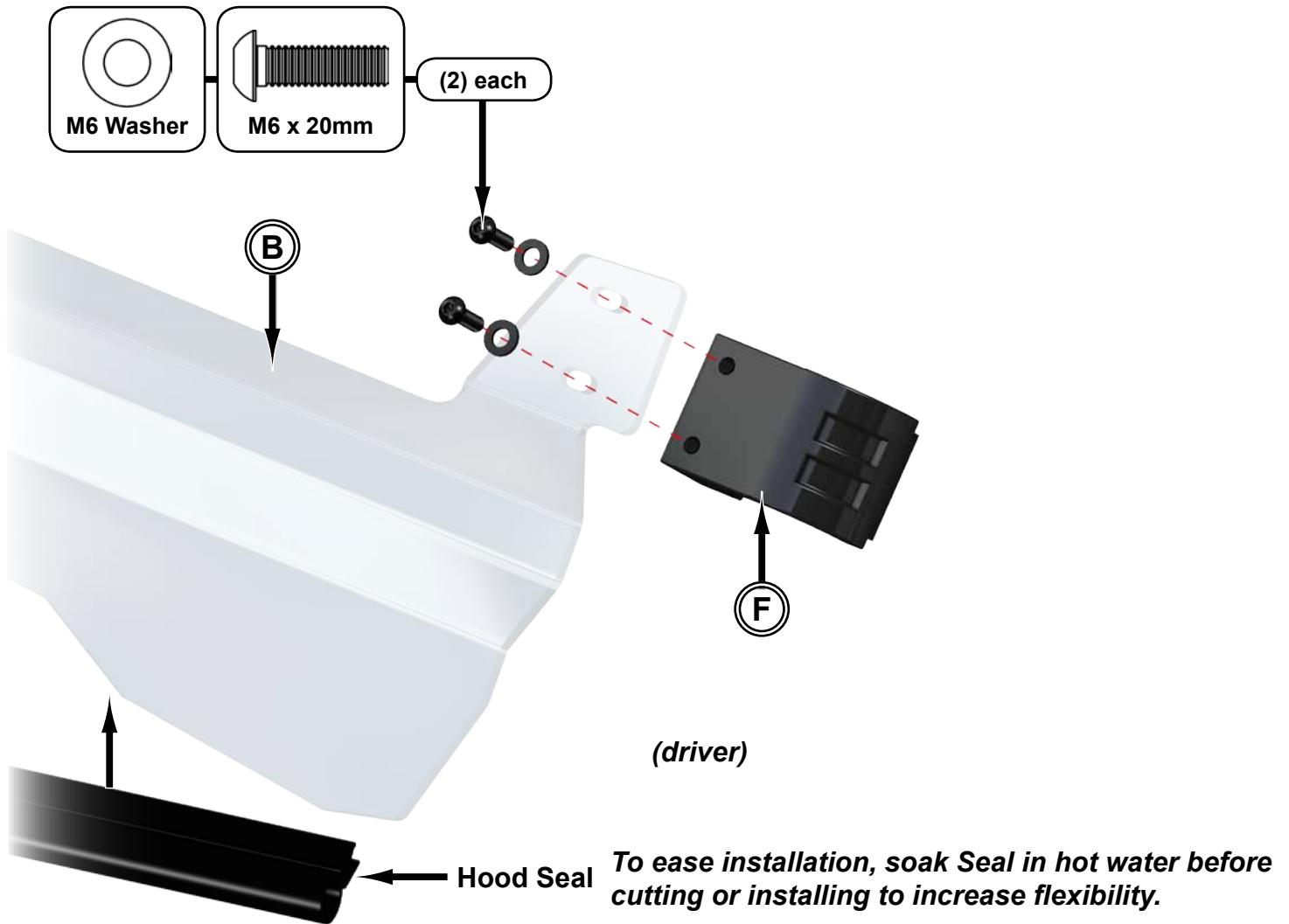
**Reference only; do not assemble completely at this time.**



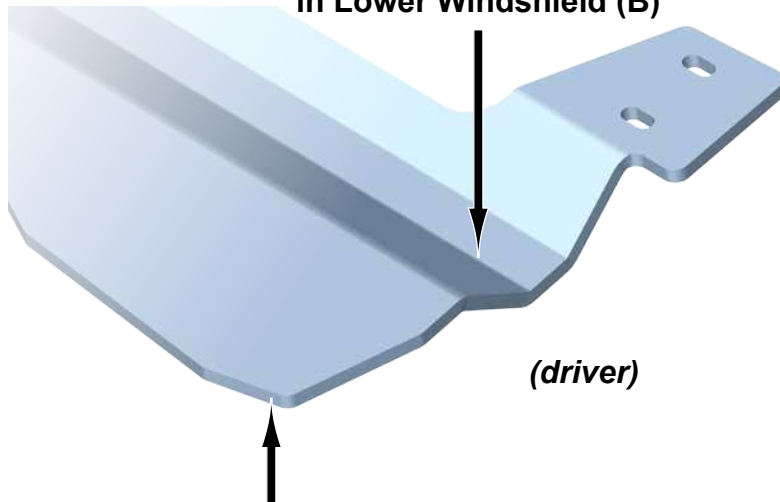
**Windshield Cleaning:**

- Do not use a dry cloth, or your hands, to wipe off Windshield; Scratching will occur.
  - Do not use window cleaning fluids (Windex, 409, etc) or any solvents (gasoline, denatured alcohol, acetone, etc).
  - Never use abrasive cleaners, abrasive pads, or gritty cloths.
1. Thoroughly rinse Windshield to float off dirt and mud.
  2. Using a soft cloth, or microfiber cloth, clean Windshield with warm water and a gentle detergent. Baby shampoo or hand washing soap are recommended.
  3. To prevent water spots, use a chamois and blot Windshield dry.

- Install (2) Clamps (F) to Lower Windshield (B) with M6-1.0 x 20mm Lg. BHCS and M6 Washers.
- Install provided Hood Seal to Lower Windshield (B).

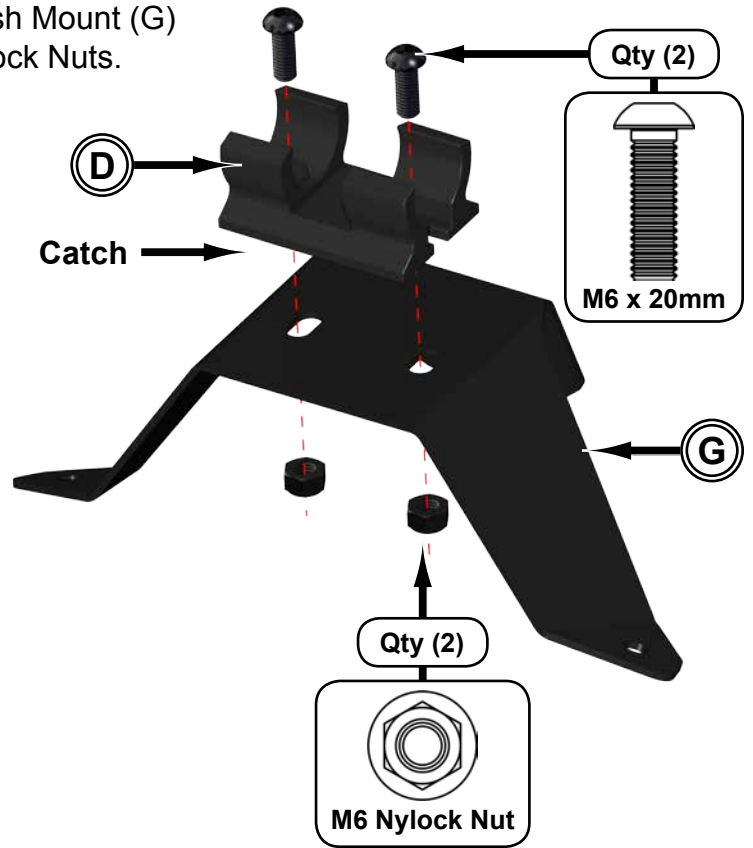


Install provided Gasket into channel  
in Lower Windshield (B)

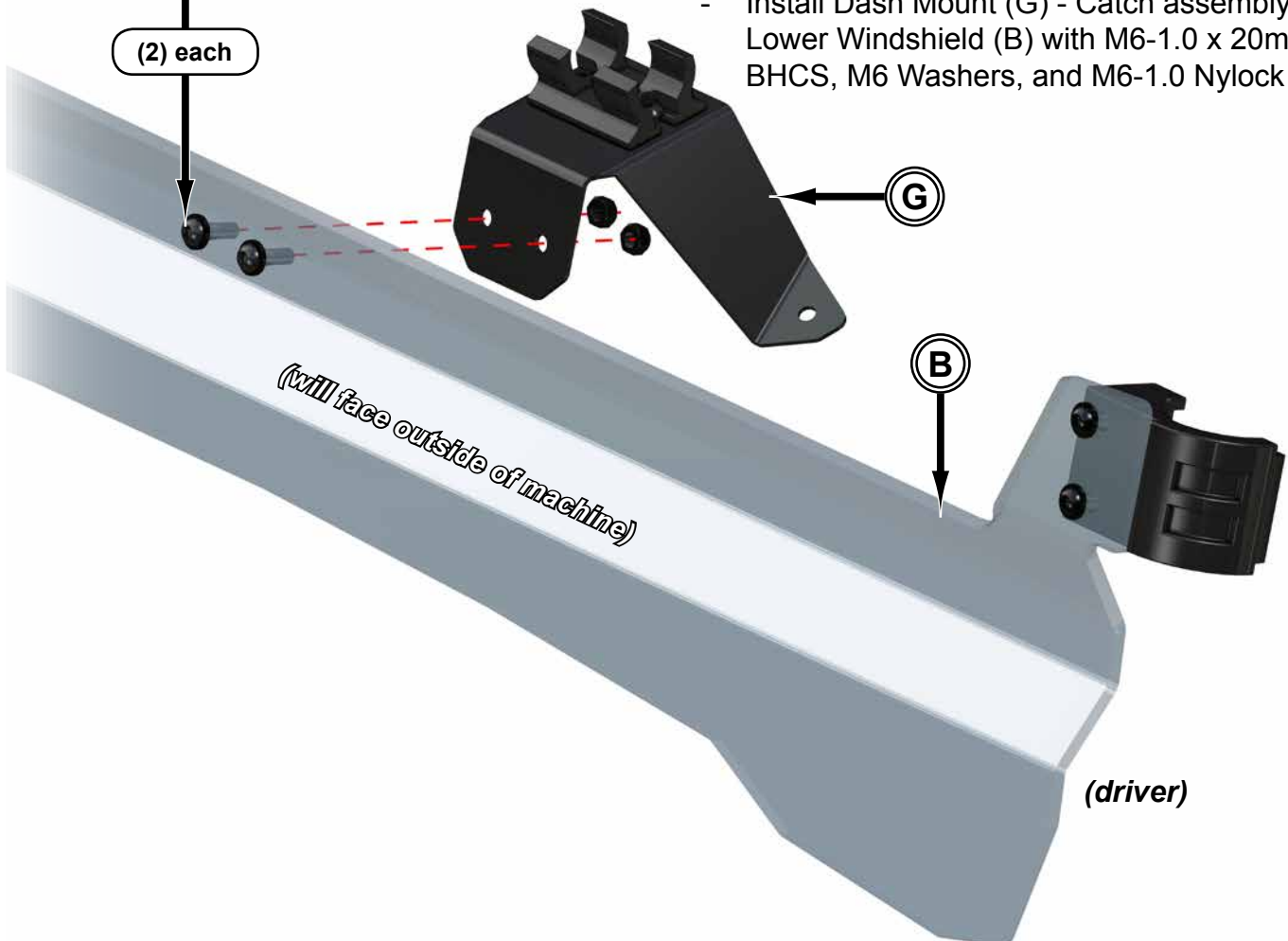


Install provided Hood Seal along bottom  
edge of Lower Windshield (B)

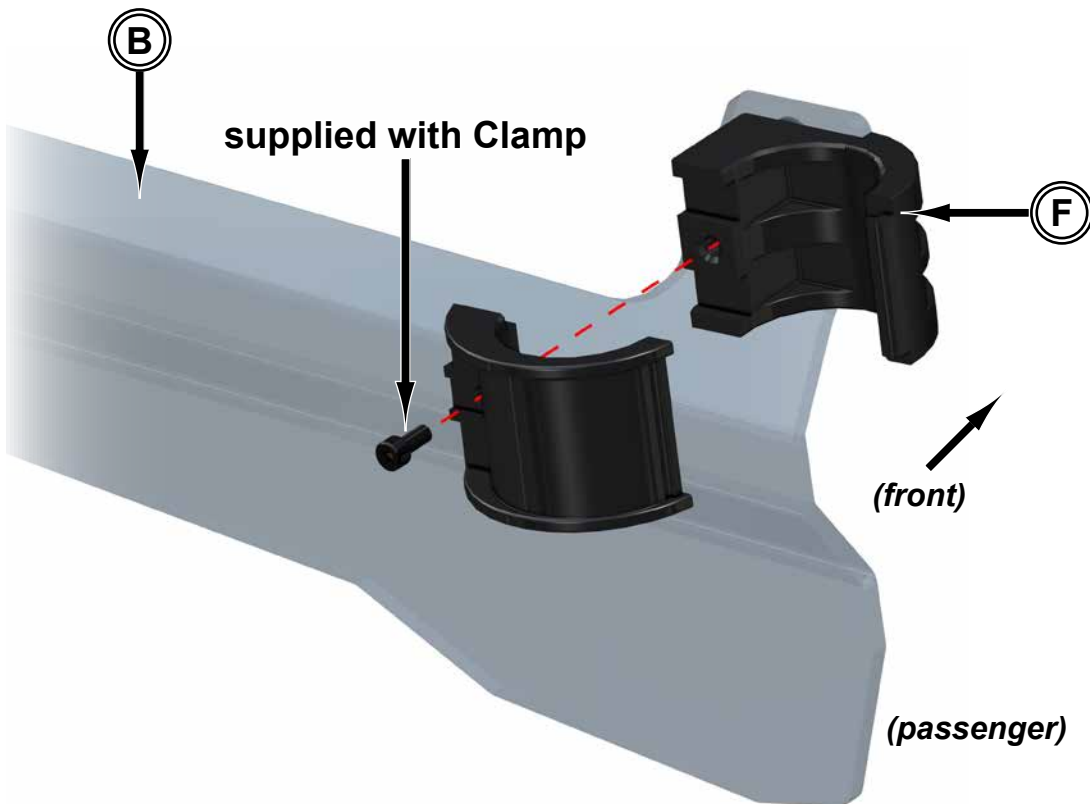
- Install Catch, part of Latch Assembly (D), to Dash Mount (G) with M6-1.0 x 20mm Lg. BHCS and M6-1.0 Nylock Nuts.



- Install Dash Mount (G) - Catch assembly to Lower Windshield (B) with M6-1.0 x 20mm Lg. BHCS, M6 Washers, and M6-1.0 Nylock Nuts.

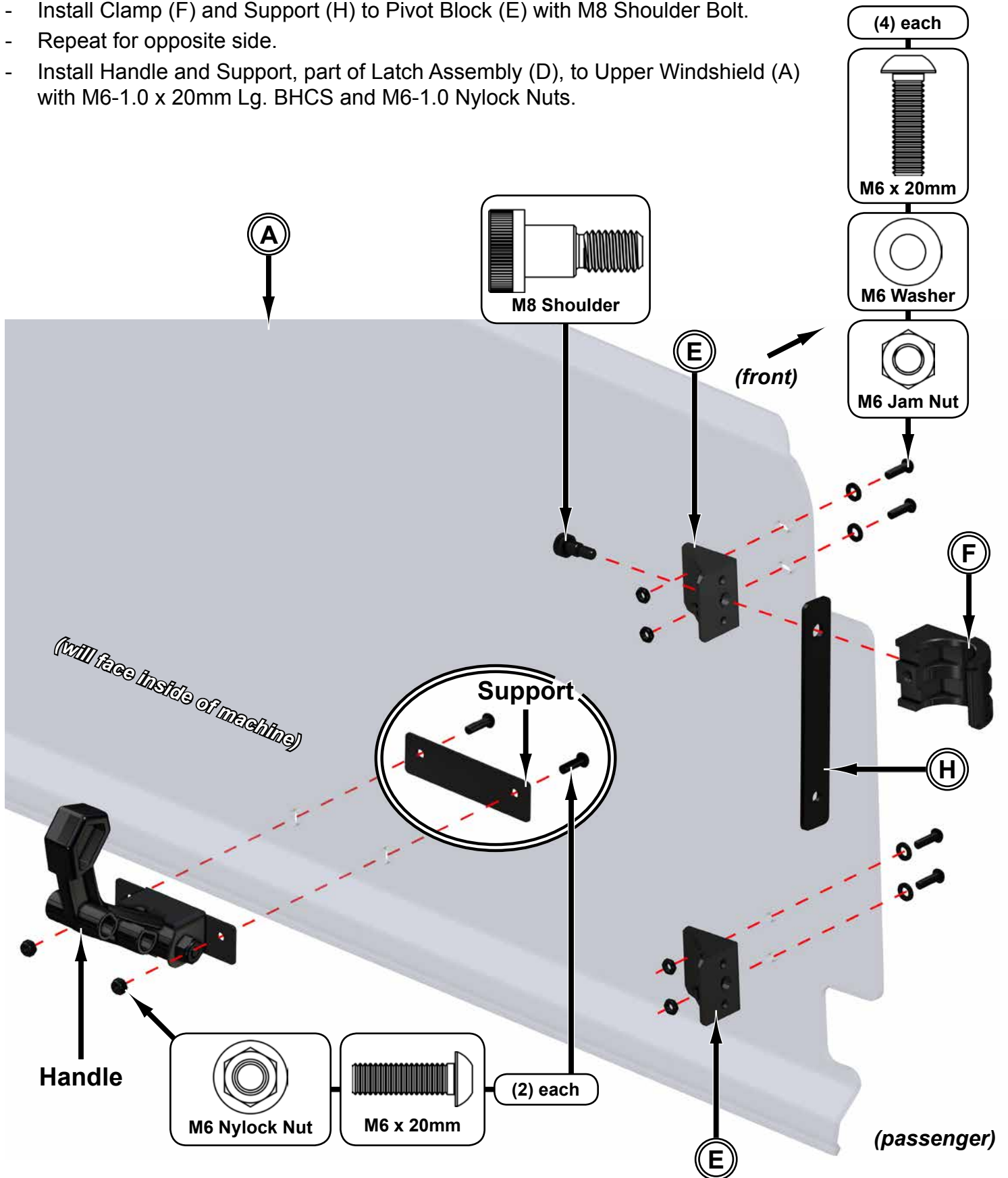


- Install Lower Windshield (B) to Roll Cage with bolts included with Clamps (F).
- Install provided Gasket to Lower Windshield (B).

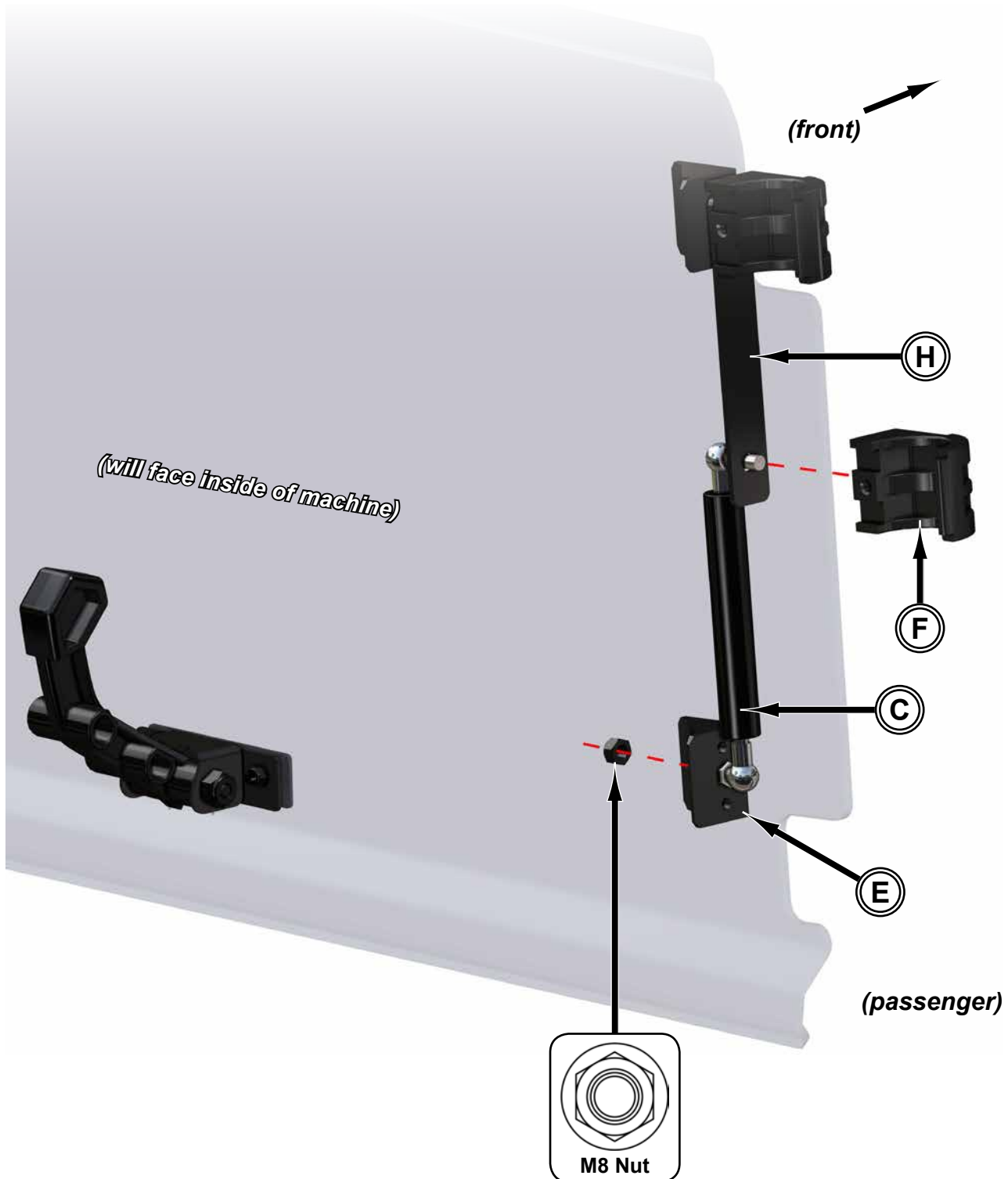


## Upper Windshield (A)

- Install Pivot Blocks (E) to Upper Windshield (A) with M6-1.0 x 20mm Lg. BHCS, M6 Washers, and M6-1.0 Jam Nuts.
- Install Clamp (F) and Support (H) to Pivot Block (E) with M8 Shoulder Bolt.
- Repeat for opposite side.
- Install Handle and Support, part of Latch Assembly (D), to Upper Windshield (A) with M6-1.0 x 20mm Lg. BHCS and M6-1.0 Nylock Nuts.



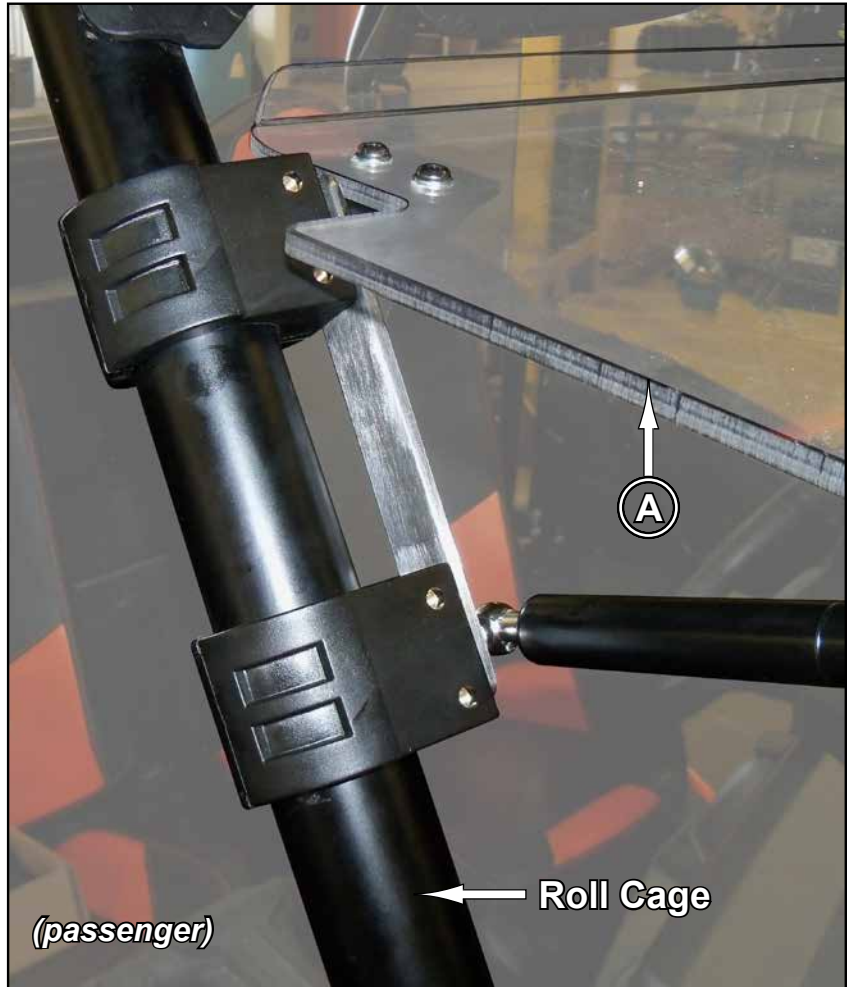
- Install Clamp (F) and Gas Strut (C) to Support (H).
- Secure Gas Strut (C) to Pivot Block (E) with M8 Nylock Nut.
- Repeat for opposite side.





supplied with Clamps

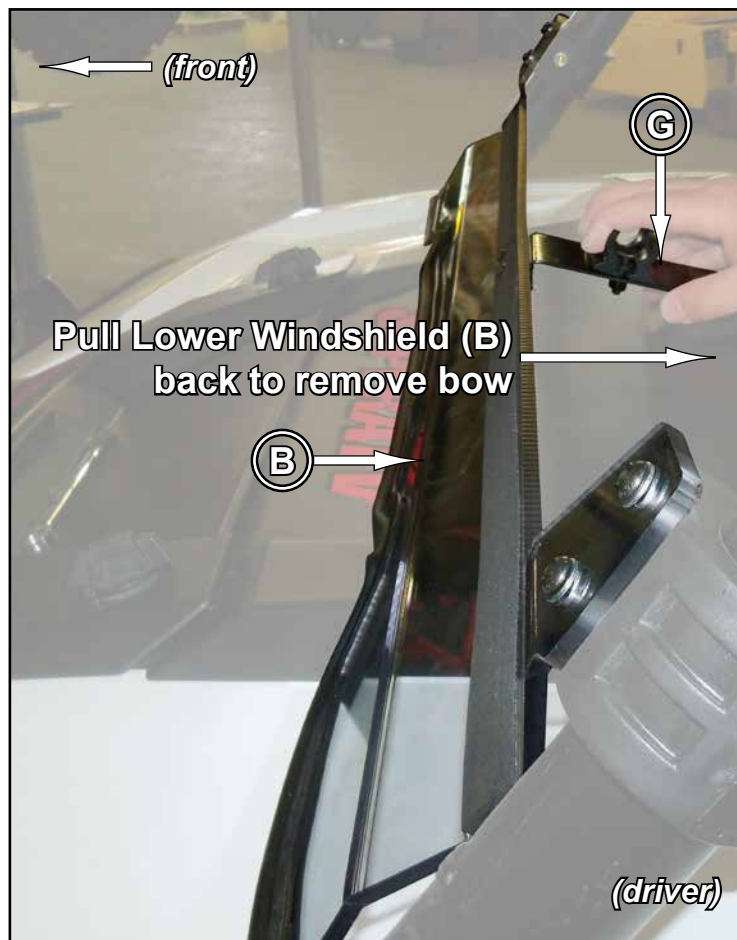
- Install Upper Windshield (A) to Roll Cage with bolts included with Clamps (F).



- Engage Latch and align Windshield assembly to machine making sure that Seal, on Lower Windshield (B), is in contact with Hood.
- Tighten hardware completely.



- Pull back Latch Assembly (D) until bow is eliminated from Lower Windshield (B) and mark holes through Dash Mount (G) into Dash.



- Cut provided Dash Gasket in half and place between Dash Mount (G) and Dash.
- Secure Dash Mount (G) to Dash with 1/4" x 7/8" Screws.

